



Making your own  
**WBC style outer hive**  
to fit over a standard National hive (minus roof)

This design uses a combination of standard sized planks readily available from most UK timber merchants and some pieces of pallet/scrap wood and can be made with basic woodworking tools and methods by any reasonably competent person.

**Karl Colyer**

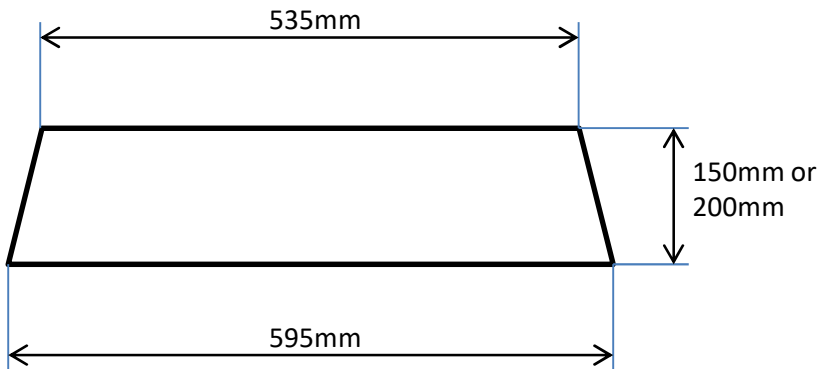
© 2024

## The lifts

Many people will admire the compound angles of lifts and the aesthetically pleasing lines of the assembled hive. Box joints or dovetails are not required to build a simple version of the lifts.

Once you are able to produce lifts, you

## Cut the wood to shape

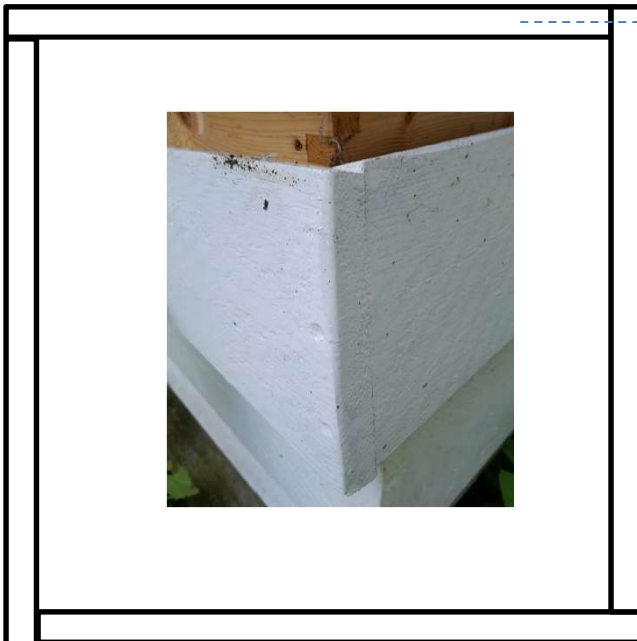


Note:

If you use 150mm boards, 4 lifts will be required.

If you use 200mm boards, 3 lifts will be required.

## Screwing the wood together



3 off 75mm long screws (and glue) to connect each corner together

Note:

The way the planks are screwed together is important. It will seem fiddly at first to try to join the parts together but once you have tried it, there's no problems afterwards.

Once assembled, check that the four sides are sitting flat and square on a level surface.

## The roof

Made from 150mm planks and pallet wood. The top slats are cedar fencing slats probably called featheredge fence panels in the DIY store.

### Front view



Note:  
You can buy the WBC roof cone if you wish. Usually less than £1 each. Only needed on one end.

### Top view



700mm

### Bottom view



550mm

This shows how the inner strip is placed within the roof, 10mm up from the bottom.



## The base

Made from 150mm planks and pallet wood.

### Front view



#### Note:

It's up to you to decide what you want your entrance/landing board to look like. I chose a simple, solid design with no moving parts. The actual entrance to the hive is via the National floor entrance at the top of the landing board ramp.

### Top view (including hive stand details underneath)



#### Note:

It's up to you to decide what you want your entrance/landing board to look like. I chose a simple, solid design with no moving parts. The actual entrance to the hive is via the Nation floor entrance at the top of the landing board ramp.

A piece of pallet wood is firmly screwed to the bottom of the WBC base on each side. The National entrance floor will rest on this.

535mm